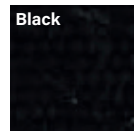
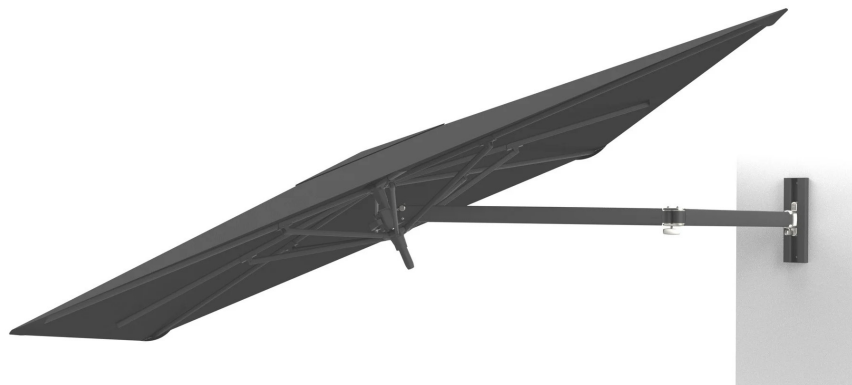
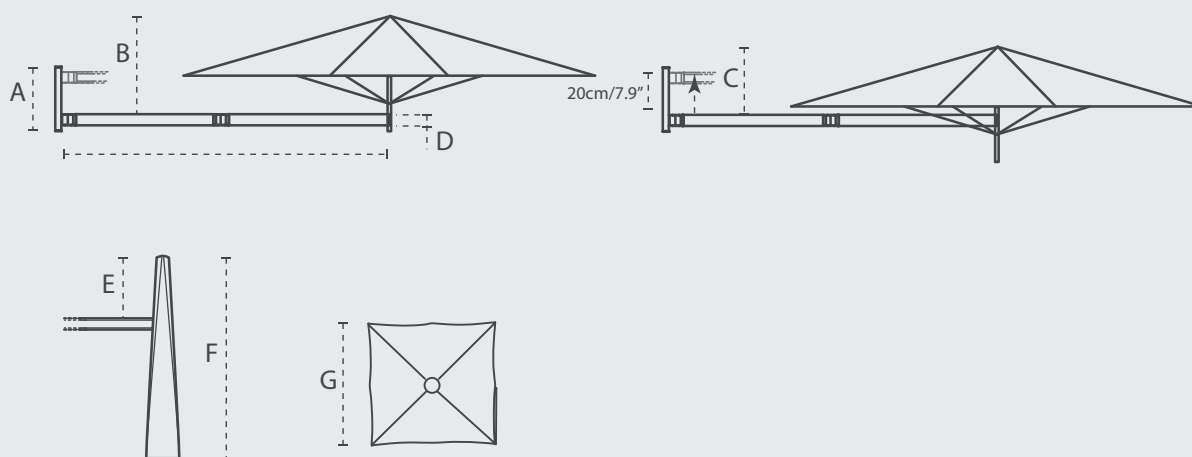


## MODEL

FULL BLACK 200SQ | FULL BLACK 230SQ | WALL



## DIMENSIONS



	$\pm 2\%$ T-----4	A	B cm/ft	C cm/ft	D cm/inch	E cm/ft	F cm/ft	G cm/ft
☒	2.0m/6' 6.7"	34/13.4"	70/2' 3.5"	45/1' 6"	6/2.4"	50/1' 7.7"	135/4' 5"	200/6' 6.7"
☒	2.3m/7' 6.6"	34/13.4"	53/1' 8.9"	45/1' 6"	6/2.4"	40/1' 3.7"	163/5' 4"	230/7' 7"

## MATERIALS

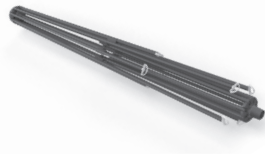


### FABRIC

Colorum – 100% Acryl 260 gr/m<sup>2</sup>

More details – see spec sheet

Fabrics



### RIBS

Aluminum, powder coated

RAL 9005



### ARM, WALL AND POLE PROFILE

Aluminum, powder coated RAL 9005



### HINGES

Black Anodised Aluminum

Stainless steel 316, polished

## PACKAGING & TRANSPORT

PARAFLEX UX	L (cm)	W (cm)	H (cm)	Weight (kg)	L (ft)	W (inch)	H (inch)	Weight (lbs)
Paraflex UX Holder	180	16	16	5	5'10.9"	6.3"	6.3"	11
Umbrella	max. 180	16	16	2.62-4,06	max 5'10.9"	6.3"	6.3"	5.78-8,9

## NICE TO KNOW

- Spare parts available
- Designed and manufactured in Belgium
- Warranty between 10 and 2 years, please consult our warranty policy at [www.umbrosa.com](http://www.umbrosa.com)
- Download owner's manual (QR-code included), also available at [www.umbrosa.com](http://www.umbrosa.com)
- Storage bag included (Colorum Flanelle)
- Wind speeds up to 5 beaufort, 30 km/h, 18 mph when base is permanently fixed

## SAFETY STATEMENTS & WARNINGS

- Product is suitable for light wind and/or light rain only.
- Position product in direction of wind as recommended in user manual.
- Do not use product in inclement weather, such as strong wind, thunderstorms, heavy rain or snow, and make sure that the umbrella is closed and stored in advance.
- Never allow the umbrella to flap in the wind. This could cause personal injury, damage to personal property, damage to umbrella and/or umbrella canopy.
- Close product and secure strap when not in use.
- Do not use product without its base or unless attached to building structure, and keep umbrella secured to umbrella base or mount at all times.
- Do not use product over or near harsh chemicals or open flames.
- Place product on stable and level surface.
- Do not allow children to assemble or operate product.
- Do not leave product unattended.
- Store product indoors during winter and extreme weather conditions.
- When adjusting or assembling the umbrella or umbrella base, make sure fingers, toes or any other parts of the body are clear from moving parts. Failing to do so may result in serious injury.
- Only use Umbrosa replacement parts.
- Read owner's manual.
- Any modifications to the product or failure to follow recommended care will void the warranty.
- Wind damage is not covered under our limited warranty.

The content of this document, in particular the mentioned models, is protected by copyrights and/or design rights. The present document and its content is communicated to you for information purposes only. Any partial or total reproduction or any other use without our prior written permission is strictly prohibited. This technical sheet remains subject to possible changes. Of course we do our best to eliminate all mistakes, but Umbrosa is not responsible for the errors in the documentation of products. All measurements are approximate and are provided for informational purposes only.